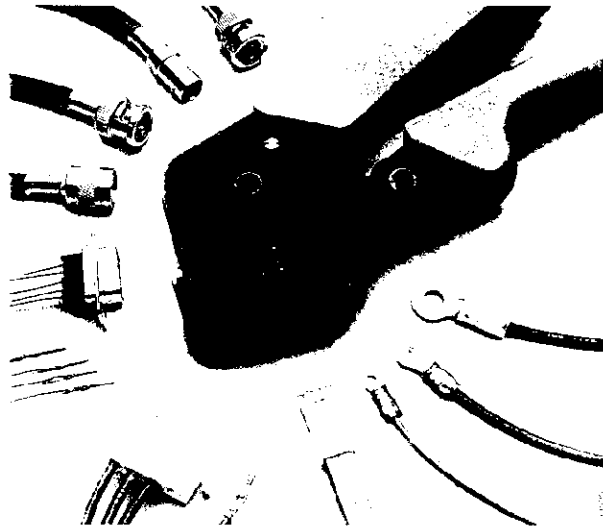


Commercial Crimping Tool

PRO-CRIMPER II Hand Tool (Interchangeable Die Sets)

Product Applied	Part Numbers	
	Tool Frame P/N 354340-1 with Die Set	Die Set Only
Insulated Terminals & Splices 22-10 AWG (0.3-5.0 mm ²)	58433-3	58423-1
CATV Plugs, 360 Coaxial F Connectors RG6, 59 Cable	58663-1 "O" and Hex Crimp	58663-2 "O" and Hex Crimp
50-ohm BNC & TNC Coaxial Connectors RG58, 52, 59 Cable	58433-1 "O" Crimp	58435-1 "O" Crimp
	58433-2 Hex Crimp	58436-1 Hex Crimp
20 DF Pin & Socket Contacts for D-Sub ₉ Connectors 23-20 AWG (0.38-0.5 mm ²)	58448-2	58443-3
Type III+ & Type VI Pin & Socket Contacts (Multimale)	58495-1	58495-2
FSMA and ST-Style (S.S.) Fiber Optic Connectors (P/N 504 Series Only)	58551-1*	58552-1
ST-Style, FC Type, D4 and AMP SC Fiber Optic Connectors	58433-4*	58424-1
FSD, FSD MC and RSD Fiber Optic Connectors: FSD Breakout Kit	58519-1*	58510-1

*Tool Frame P/N 58552-1



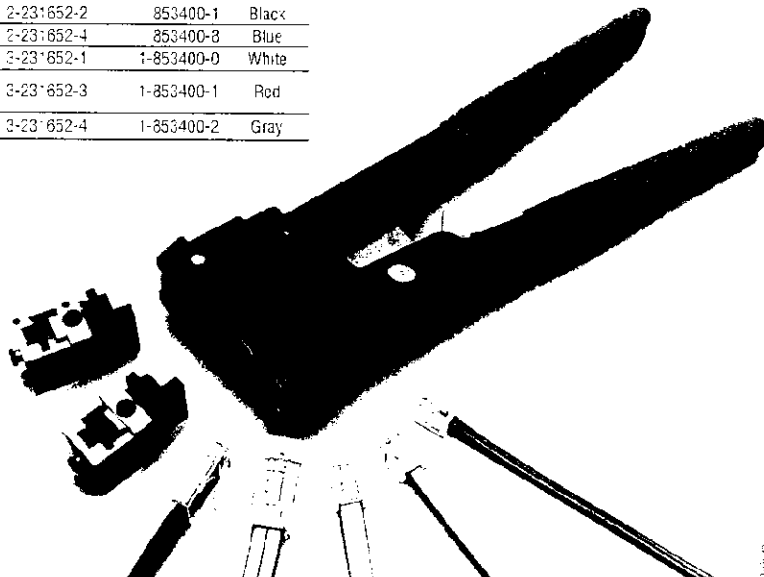
Note: For further information, request PRO-CRIMPER II Hand Tool Catalog 32275

Hand Tools for IDC Connectors (Continued on page 4)

Professional Installers' Modular Plug Hand Tool (Interchangeable Die Sets)

Modular Plug Applied (IDC Connectors)	No. of Positions	Style	Part Number		Die Set Only	
			Hand Tool Assembly (Frame w/Die Set)	Part No.	Color Dot Code	
AMP Standard	3-Pos. Line	RJ 45	2-231652-2	853400-1	Black	
	3- 4- 6-Pos. Line	RJ 12, RJ 11	2-231652-4	853400-8	Blue	
AMP Category 5	3-Pos. Line	RJ 45	3-231652-1	1-853400-0	White	
Other Manufacturers (Hubbell, Stewart, Iteal & Some Others)	3-Pos. Line	RJ 12, RJ 11	3-231652-3	1-853400-1	Red	
	3- 4- 6-Pos. Line	RJ 45	3-231652-4	1-853400-2	Gray	

Note: For further information, request
Modular Plugs and Jacks Catalog 32066.



1998 by AMP Incorporated. All Rights Reserved.